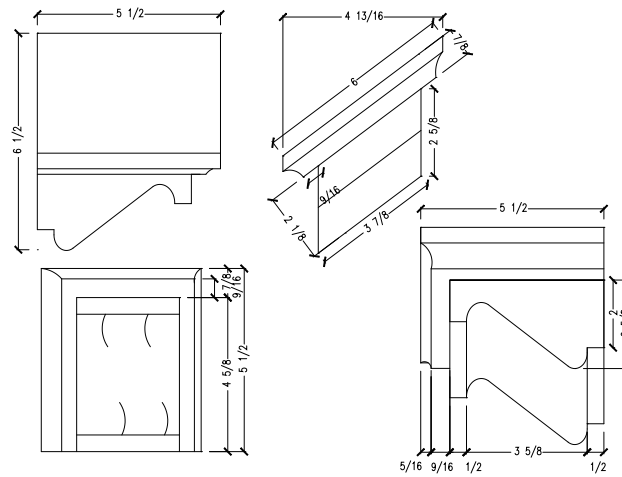

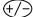


Date	Revised	Length	Width	Height	Projection	Repeat	Texture	Plot scale	PART: DENTIL-BLOCK
APR/12/06	-----	-----	$4-13/16"$	$6-1/2"$	$5-1/2"$	-----	SMOOTH	$1/8 = 1"$	PART NO.: DB536-LP-09 note: product may vary $\pm 1/8"$



	Length 0"	Width 0"	Height 0"	Projection 0"	Repeat 0"	Texture SMOOTH
	Date DAT/00/05	Revised -----	Plot scale $1/8 = 1"$	PART: PART NO.:	TYPE PART# <small>note: product may vary  1/8"</small>	